



SC Duplex Fiber Optic Adapter SM&MM

General Descriptions

With the increasing demand of a faster, more efficient, more reliable and broader bandwidth network, fiber optic cables and fiber optic equipment are used more and more in the communication field. Fiber optic adaptors is one of the most commonly used and very necessary product used in the fiber optic network, main function of fiber optic adaptor is for connection between various fiber optic connectors, fiber optic patch cords, fiber optic pigtailed and fiber optic equipments, it offers the point-to-point connection in the fiber optic network.

Features

- Complies with industrial standard
- Color customized options, such as green and blue
- CATV system Networks and Data communication Networks
- Local Area Networks and Telecommunication Networks
- Stable capability and high reliability
- Precise connecting
- Outstanding Mechanical characters
- Human-centered Design

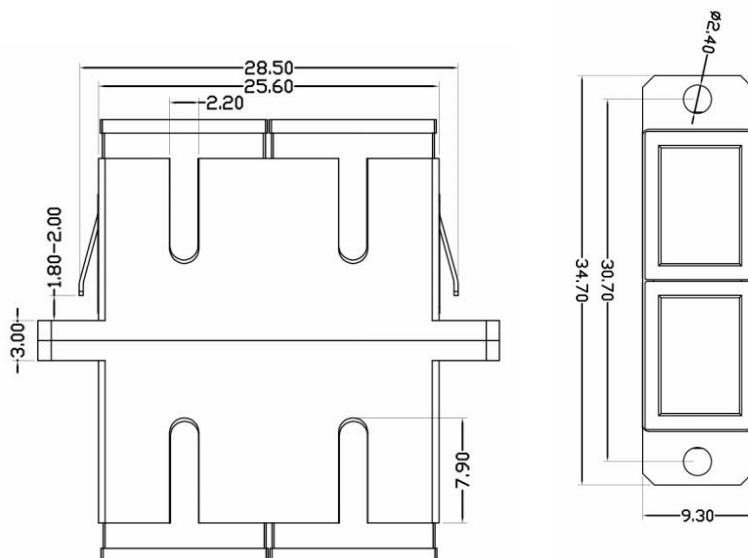
Application

- Testing instruments
- Connection between devices
- Connection between fiber optic patch cords
- CATV, MANs, WANs
- FTTx

Specification

Item	Parameter	
Available Adapter Type	SC、LC、FC、ST、MTRJ、MU、MPO、E2000	
Fiber Type	SM	MM
Color	Blue,Green,Metallic	Beige,Aqua,Magenta, Lime green, Metallic
Testing Wavelength	1310nm, 1550m	850nm, 1300nm
Insertion Loss	Typical $\leq 0.15\text{dB}$, max. $\leq 0.20\text{dB}$	
Interchangeability	$\leq 0.2\text{dB}$	
Repeatability	$\leq 0.2\text{dB}$	
Durability	1000 Mating, max $\leq 0.20\text{dB}$	
Channel Number	Single core, Dual-core, Four cores	
Housing Material	PBT or ABS or Metal	
Sleeve Type	Ceramic Sleeve or Metal Sleeve	
ROHS Compliance	Yes	
Storage Temperature	$-40\sim+100^{\circ}\text{C}$	
Working Temperature	$-40\sim+90^{\circ}\text{C}$	

Drawing



Picture:

1. SC/PC Duplex, Single Mode



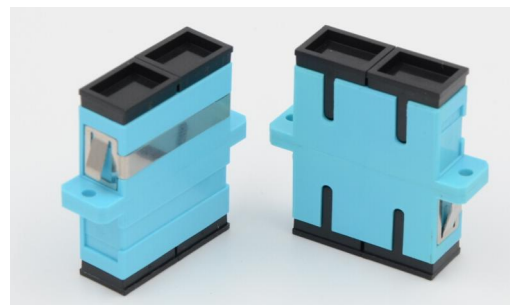
2. SC/APC Duplex, Single Mode



3. SC/PC Duplex, Multimode



4. SC/PC Duplex, Multimode, OM3



5. SC/PC Duplex, Multimode, OM4



6. SC/PC Duplex, Multimode, OM5

