



ST Duplex Fiber Optic Adapter SM&MM

General Descriptions

With the increasing demand of a faster, more efficient, more reliable and broader bandwidth network, fiber optic cables and fiber optic equipment are used more and more in the communication field. Fiber optic adapters is one of the most commonly used and very necessary product used in the fiber optic network, main function of fiber optic adaptor is for connection between various fiber optic connectors, fiber optic patch cords, fiber optic pigtailed and fiber optic equipment, it offers the point-to-point connection in the fiber optic network.

Features

- Complies with industrial standard
- Color customized options, such as green and blue
- CATV system Networks and Data communication Networks
- Local Area Networks and Telecommunication Networks
- Stable capability and high reliability
- Precise connecting
- Outstanding Mechanical characters
- Human-centered Design

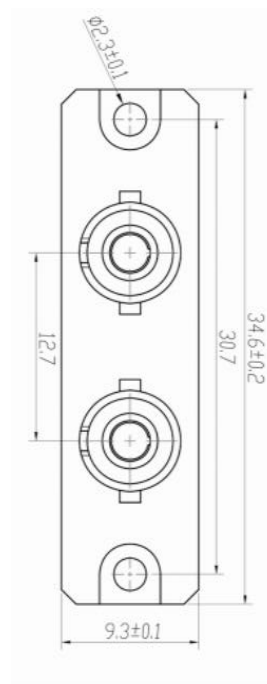
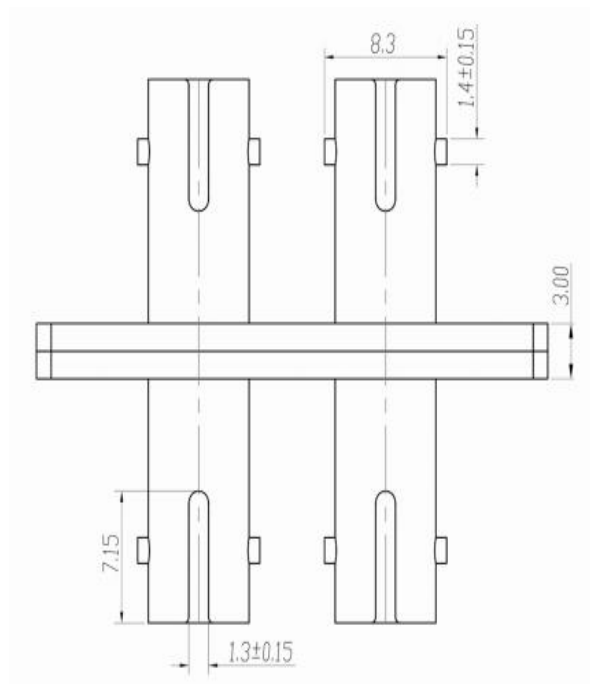
Application

- Testing instruments
 - Connection between devices
 - Connection between fiber optic patch cords
 - CATV, MANs, WANs
 - FTTx
-

Specification

Specification			
Item	Data	Unit	Remark
Adapter Type	ST		
Insertion Lose	≤ 0.2	dB	Ceramic Sleeve could be $\leq 0.10\text{DB}$, Metal Sleeve can be only $\leq 0.30\text{DB}$
Interchangeability	≤ 0.2	dB	
Repeatability	≤ 0.2	dB	
Housing Material	Metal body		
Sleeve Type	Ceramic Sleeve or Metal Sleeve		
Storage Temperature	-40~+130	°C	
Working Temperature	-40~+130	°C	

Drawing



Picture:

1. ST/PC Duplex, Single Mode



2. ST/PC Duplex, Single Multimode

