



FC Fiber Optic Adapter Round Type

General Descriptions

The optical fiber adapter (is named flange plate) is the optical fiber flexible jumper docking connection part. This serial products great variety of goods, including FC, SC, ST, LC widely uses in the optical fiber distribution frame (ODF), the fiber optic communications equipment, the measuring appliance and so on, the stable property is reliable.

Features

- Stable capability and high reliability
- Precise connecting
- Outstanding Mechanical characters
- Human-centered Design
- Precision phosphor bronze or zirconia sleeve
- Material such as Metal, Kirksite, Plastic could be optional

Application

- Complies with industrial standard
- CATV system Networks and Data communication Networks
- Local Area Networks and Telecommunication Networks

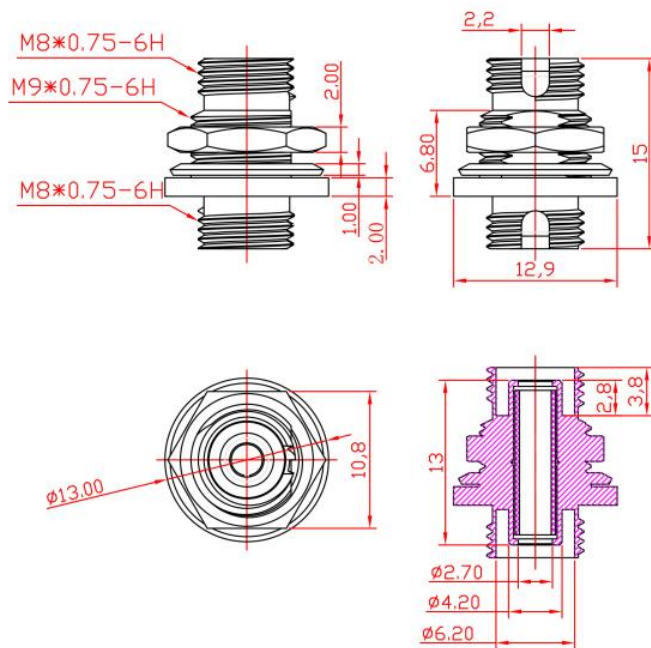
Specification

Item	Parameter	
Available Adapter Type	SC、LC、FC、ST、MTRJ、MU、MPO、E2000	
Fiber Type	SM	MM
Color	White,Green,Metallic	Red, Metallic
Testing Wavelength	1310nm, 1550m	850nm, 1300nm
Insertion Loss	Typical $\leq 0.15\text{dB}$, max. $\leq 0.20\text{dB}$	



Interchangeability	$\leq 0.2\text{dB}$
Repeatability	$\leq 0.2\text{dB}$
Durability	1000 Mating, max $\leq 0.20\text{dB}$
Channel Number	Single core, Dual-core
Housing Material	Metal
Sleeve Type	Ceramic Sleeve or Metal Bone Sleeve
ROHS Compliance	Yes
Storage Temperature	$-40 \sim +85^{\circ}\text{C}$
Working Temperature	$-40 \sim +85^{\circ}\text{C}$

Drawing:



Picture:

FC,simplex,singlemode, Round type, can be metal Bronze sleeve or ceramic sleeve.

