



FC Fiber Optic Adapter Square Type

Descriptions

The optical fiber adapter (is named flange plate) is the optical fiber flexible jumper docking connection part. This serial products great variety of goods, including FC, SC, ST, LC widely uses in the optical fiber distribution frame (ODF), the fiber optic communications equipment, the measuring appliance and so on, the stable property is reliable.

Features

- Stable capability and high reliability
- Precise connecting
- Outstanding Mechanical characters
- Human-centered Design
- Precision phosphor bronze or zirconia sleeve
- Material such as Metal, Kirksite, Plastic could be optional

Available Range

- Complies with industrial standard
- CATV system Networks and Data communication Networks
- Local Area Networks and Telecommunication Networks

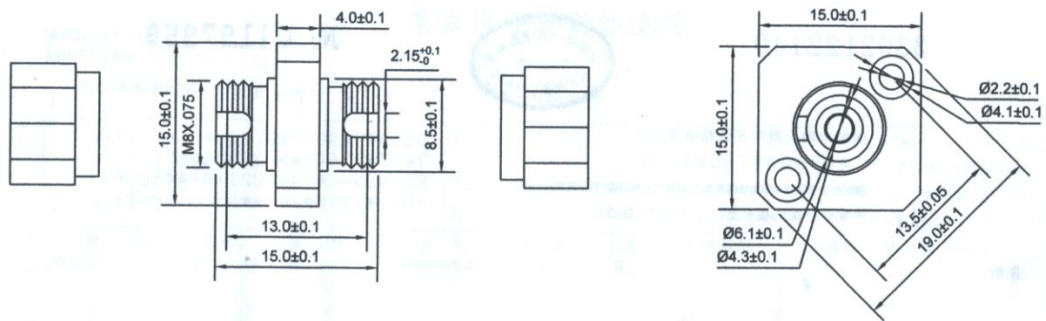
Specification

| Item | Parameter | |
|------------------------|-------------------------------|---------------|
| Available Adapter Type | SC、LC、FC、ST、MTRJ、MU、MPO、E2000 | |
| Fiber Type | SM | MM |
| Color | White,Green,Metallic | Red, Metallic |
| Testing Wavelength | 1310nm, 1550m | 850nm, 1300nm |



| | |
|---------------------|--|
| Insertion Loss | Typical $\leq 0.15\text{dB}$, max. $\leq 0.20\text{dB}$ |
| Interchangeability | $\leq 0.2\text{dB}$ |
| Repeatability | $\leq 0.2\text{dB}$ |
| Durability | 1000 Mating, max $\leq 0.20\text{dB}$ |
| Channel Number | Single core, Dual-core |
| Housing Material | Metal |
| Sleeve Type | Ceramic Sleeve or Metal Bone Sleeve |
| ROHS Compliance | Yes |
| Storage Temperature | $-40\sim+85^{\circ}\text{C}$ |
| Working Temperature | $-40\sim+85^{\circ}\text{C}$ |

Drawing:



Picture:

FC,simplex,singlemode,square one-piece type, can be metal Bronze sleeve or ceramic sleeve.

