

ERATBOX MEDIUM WALL MOUNT



erat

ERATBOX MEDIUM WALL MOUNT



H	290 mm
W	320 mm
D	88 mm



Available Colors	
	Light Grey (RAL7035)
	Black (RAL9005)



Weight	
Net	2,8 kg
Gross	3,1 kg

Product Overview

The EratBox's Medium Fiber Termination Patch/Splice Box is designed for use as a wall mount interconnect point where termination and connectivity of up to 48 fibers is desired. This solution allows easy access to patch cords and pigtails after opening the hinged front door. Standard boxes are available empty for complete field configuration, half-loaded with adaptor plates for field termination and cable assembly installation, or stubbed with a factory-installed cable assembly of a user specified length.

Features

- Fits comfortably into new and existing interconnect, cross-connect, customer premise, and co-location environments
- Most common connector styles and types available
- Compatible with industry standard equipment frames
- Single door with tube-style keyed lock for flexibility and security
- Optional magnetic lock
- Optional splice tray kit for on site conversion to patch and splice panel

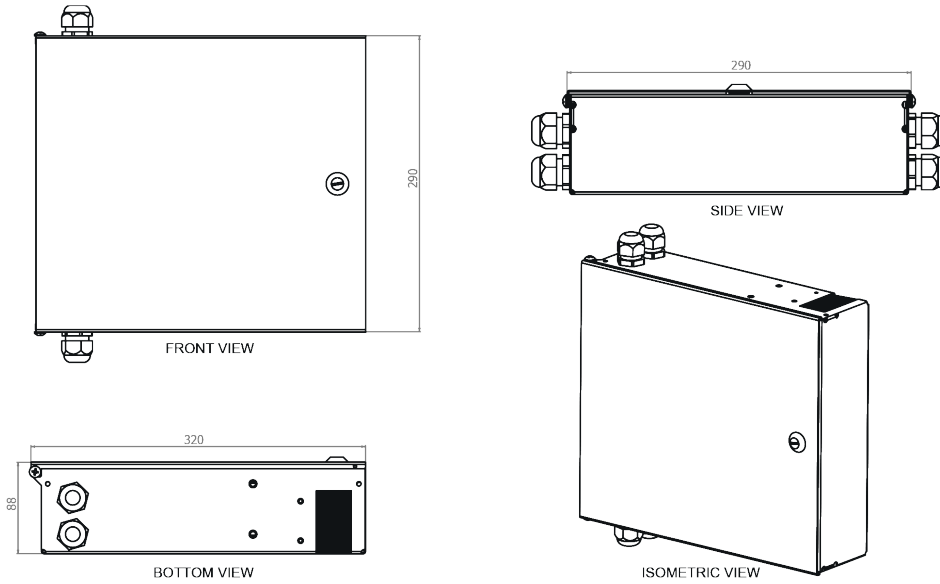
Specifications

- Cold rolled steel
- Durable textured powder coat finish available in black or white
- Easy changeable adaptor plates
- Standard density: up to 24 fiber,
High density: up to 48 fiber
- Standard cable stub location is bottom
- Optional splice trays for splitters- Compliant to RoHS
- Compliant to RoHS

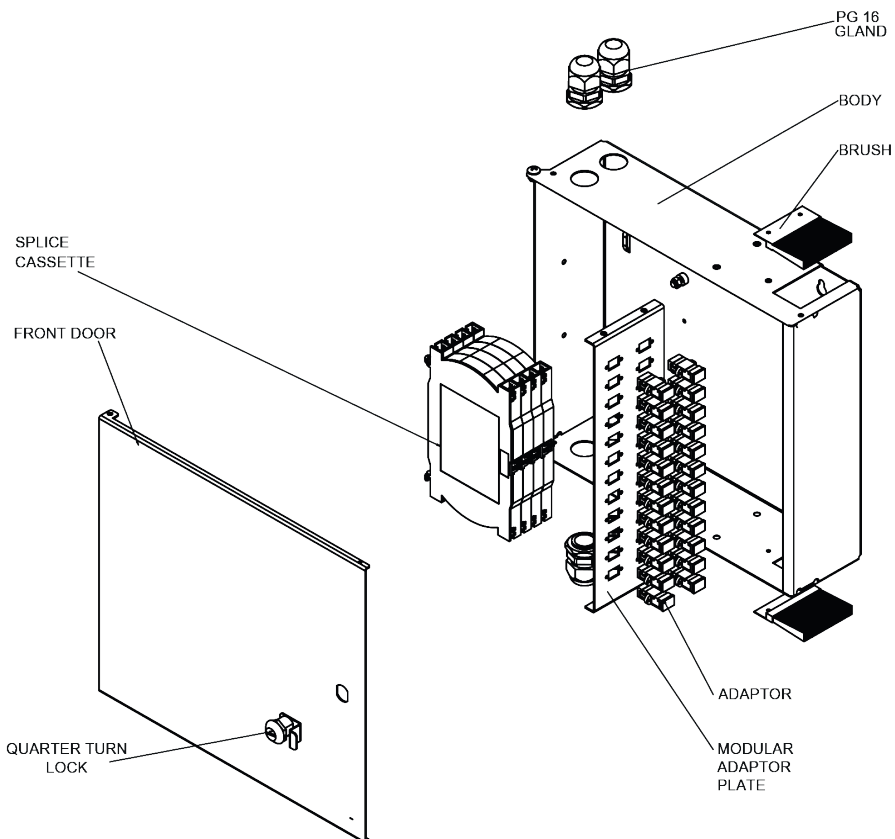
ERATBOX MEDIUM WALL MOUNT



Dimensions



Exploded View

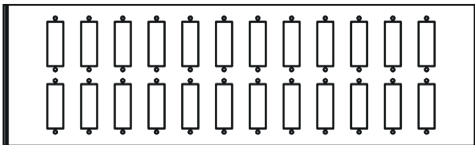
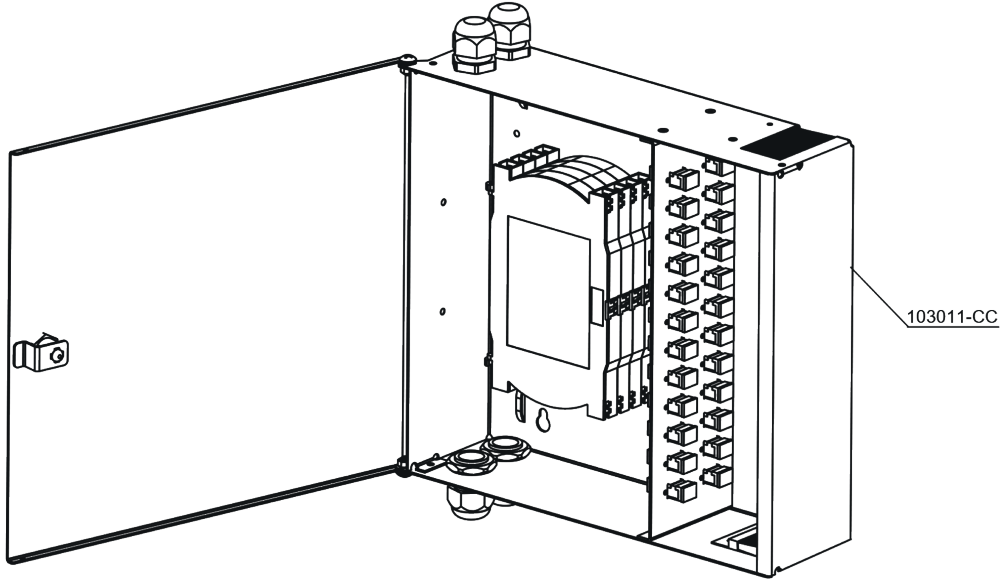


ERATBOX MEDIUM WALL MOUNT



Product Definition

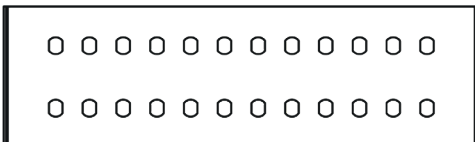
EratBox Medium Fibre Optic Termination Box Single Door with Tube-Style Keyed Lock without Adaptor Plate, Colour: Black-RAL9005 or Light Grey-RAL7035, (2pcs. PG16 Plastic Gland , 4pcs. Adhesive Bunny Clips, 2pcs. 50cm Spiral Wrap, 4pcs. 2,5mmX10 Cable Ties)



24 SC Duplex Vertical Adaptor Plate



24 LC Duplex or 24 E2000 or 24 SC Simplex Vertical Adaptor Plate



24 ST or 24 FC (D-Hole) Adaptor Plate

EratBox Medium Adaptor Plate Options

24 SC Duplex Vertical Adaptor Plate

24 LC Duplex or 24 E2000 Simplex or 24 SC Simplex Vertical Adaptor Plate

24 ST or 24 FC (D-hole) Adaptor Plate

Ordering Information

* CC=LG for Light Grey RAL 7035 & BL for Black RAL 9005 for customers to define while ordering.